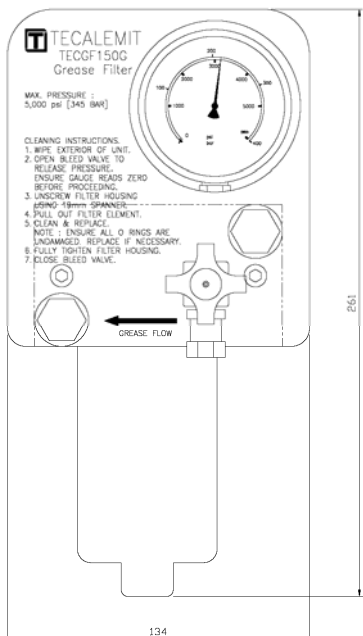




Monitored grease filtration down to 150 Microns for auto-lube systems on fixed & mobile plant operating in the toughest conditions.



High Pressure Grease Filter for Fixed and Mobile Plant

The Tecalemit TECGF150 and TECGF300 are high pressure non bypass style grease filters purpose designed to remove contaminants from grease pumped into centralized greasing systems and intermediate storage pods on fixed and mobile plant.

The TEC GF series filters are designed to prevent the ingress of contaminants which can critically damage lube system pumps, dispensing valves & downstream bearings, pins and other critical components. Available with either 150 micron or 300 micron rupture proof 316 stainless steel filter elements, the TEC GF Series Grease Filter housing is constructed from heavy duty zinc plated mild steel tested to over 7,000 psi.

Blockage monitoring features include optional over pressure indicator with electrical switch to indicate grease filter blockage or pressure gauge. A manual pressure bleed valve allows filter pressure to be relieved enabling safe coupling and removal of filter hoses and the filter bowl for inspection & element cleaning.

The TEC GF Series Grease Filter can be mounted either remotely or in-line with M12 clearance mounting holes and 1/2" BSPF Inlet and Outlet.

Key Features:

- Choice of 150 or 300 micron filter elements.
- Non bypass construction for complete system protection.
- Rupture proof 316 stainless 150 or 300 micron filter elements.
- Manual pressure bleed valve.
- Mild steel zinc plated body and housing.
- Optional grease pressure indicator gauge.
- Optional filter blockage monitoring switch.

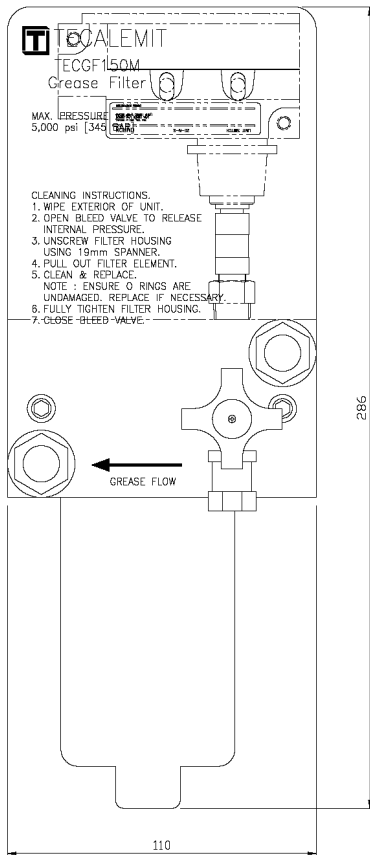
Technical Specifications:

- Inlet / Outlet 1/2" BSPF
- Pressure Gauge Port 1/4" BSPF
- Max Pressure: 5,000 psi
- Over pressure indicator setting: 3,600 psi
- Filter element: 150 or 300 micron 316 stainless steel.

Dimensions:

- Overall Sizes:
 TECGF150G / TECGF300G – 134 x 261 mm
 TECGF150M / TECGF300M – 110 x 286 mm
- Filter Element: 120mm x 38mm OD.
- Mass: 4kg (excludes gauge & switch)

For further information on component selection or design of automatic lubrication systems for mobile or fixed plant contact Tecalemit on Freecall (within Australia) **1800 68 55 77** or email expertadvice@tecalemite.com.au. Further information on Tecalemit products is available at www.tecalemite.com.au



TEC GF Series grease filters are available in four models:

Model	Description
TECGF150G	150 micron filter element with pressure gauge.
TECGF150M	150 micron filter element with over pressure indicator & remote monitoring cycle switch.
TECGF300G	300 micron filter element with pressure gauge.
TECGF300M	300 micron filter element with over pressure indicator & remote monitoring cycle switch.

Monitoring Options.

Blockage Monitoring Switch: N.O or N.C contacts. Provides signal to the customer controller when filter requires cleaning.

Pressure Gauge: Allows visual monitoring of the in bowl grease pressure which will climb as the filter element becomes blocked.

Spares & Accessories

TEC GF Series Grease filters are fully serviceable with a range of spare parts as shown below.

Part No.	Description.
TECGF150E	Replacement 150 micron filter element assembly.
TECGF300E	Replacement 300 micron filter element assembly.
TECGFSK	Grease Filter Seal Kit.
3290011	Pop up Indicator.
V15964	Pressure Gauge.
V17225	Monitoring Switch.
V22498	Filter Housing.